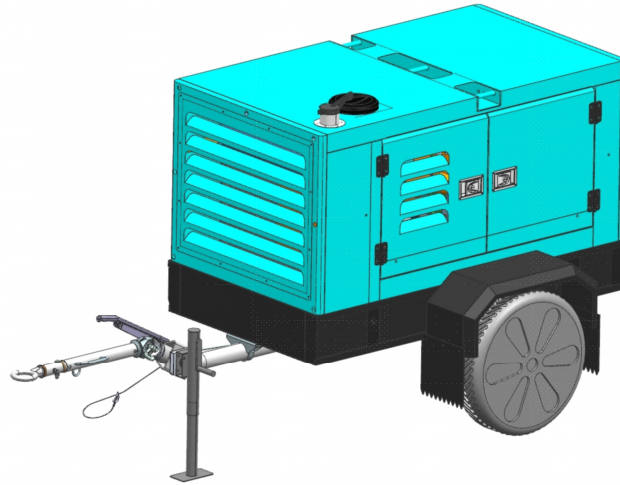


ALWAYS PERFORMED WELL

ALWAYS PERFORMED WELL

MDS72S7YM-EU V



Compressor type Rotary Twin Screw, Single-Stage, Oil-cooled

Operational data

Free Air Delivery	m3/min	2.0
	cfm	72
Rated Operating Pressure	bar	7
	psig	101.5

Engine

Maker/Model	YANMAR 3TNV80F-SDWB	
Type	4 cycle, Inline, Water-cooled, Direct injection, Diesel	
Air Intake Way	Naturally Aspirated	
Injection System	Mechanical	
Emission regulation	EU Stage V	
Number of Cylinders	3	
Bore	mm	80
Stroke	mm	84
Displacement	l	1.267
Full Load Speed	rpm	2800
Unload Speed	rpm	1900
Power	kw(ps)	17.4(23.7)
Fuel Consumption	l/h(US gal/h)	4.6(1.22)

Filling capacities

Compressor Oil System	l(US gal)	4.8(1.27)
Diesel Tank	l(US gal)	40(10.6)
Engine Coolant System	l(US gal)	2.7(0.71)
Engine Oil System	l(US gal)	3.4(0.9)

Dimensions & weight and connections

Box	Length	mm(in)	1550(61)
	Width	mm(in)	944(37)
	Height	mm(in)	880(35)
	weight(Dry)	kg(lb)	680(1500)
	weight(Wet)	kg(lb)	715(1576)
Portable	Length	mm(in)	2943(115)
	Width	mm(in)	1483(58)
	Height	mm(in)	1360(53)
	weight(Dry)	kg(lb)	820(1807)
	weight(Wet)	kg(lb)	855(1884)
Compressed air outlet	2 x G3/4"		

* Note: Due to continuous improvements in the products, the technical specifications are subject to change without prior notice.

AIWAYS PERFORMED WELL

MDS72S7YM-EU V Technical Data

Many options for many applications

Compressed Air Quality

- «Built-in aftercooler
- «Built-in microfilter combination
- «Integrated Oiler

Compressor Equipment

- «Hose reel
- «Remote start / stop
- «Tool-Box
- «Bunded bottom box

Integrated Generator

- «5KVA «7KVA
- «9KVA «15KVA

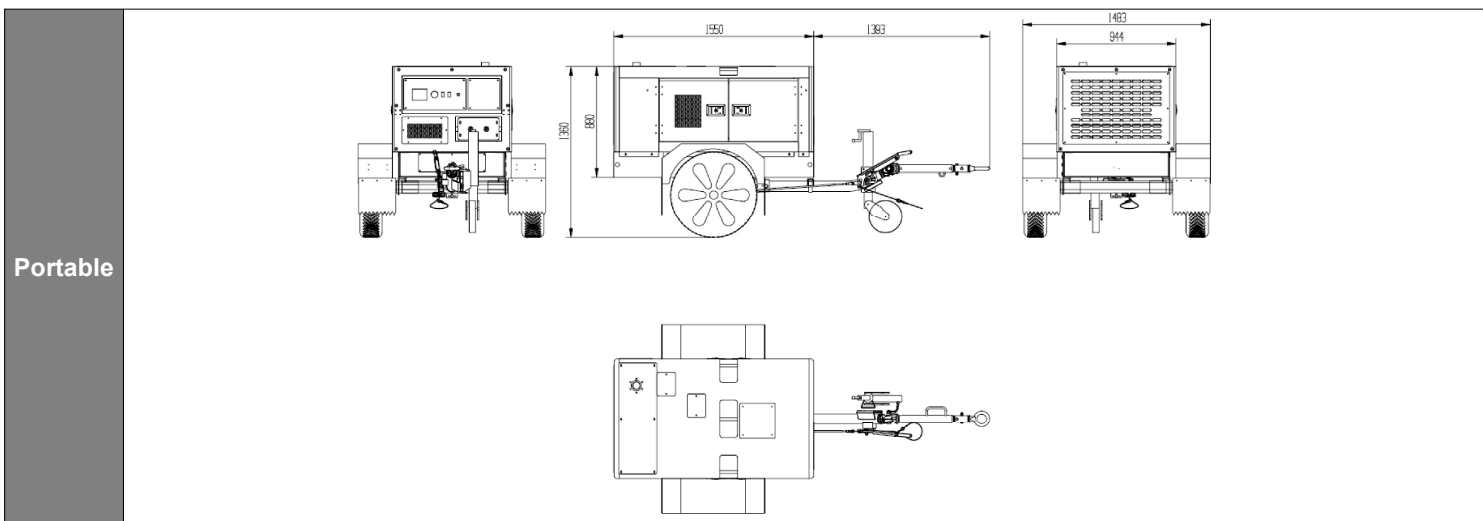
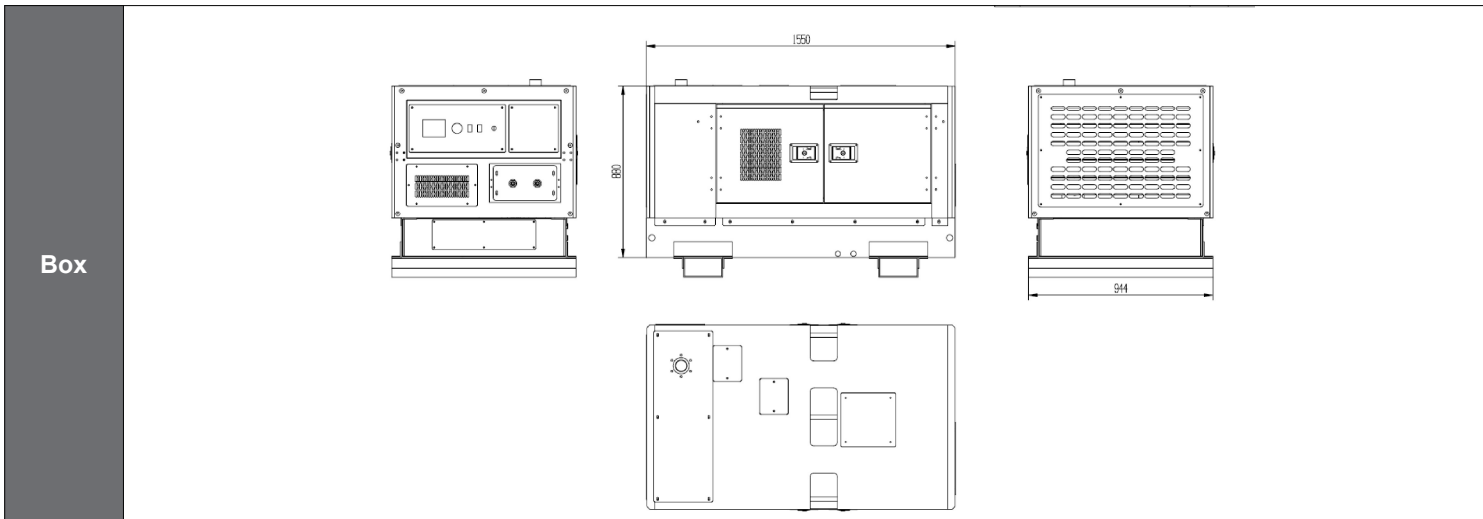
Engine Accessories

- «Spark arrestor
- «Engine shutdown at overspeed from flammable gases

Others

- «Color
- «Fuel tank capacity

Dimensions



CERTIFICATION

GCCA:GC009G01
 CE certification: Machinery Directive 2006/42/EC
 GB/T 45001-2020/ISO 45001:2018 ,GB/T 24001-2016/ISO14001:2015, ISO9001:2015

WARRANTY COVERAG

PACKAGE: 1 year or 2,000 hours
ENGINE: Carries the manufacturer's warranty
AIREND: STANDARD: 2 years or 4,000 hours
EXTENDED: 5 years or 10,000 hours with the use of GTL filters and fluids



XIAMEN GTL POWER SYSTEM CO.,LTD

Marketing Center: 5F, Bo an Shi TongBuilding, No.997-999, Tianma Rd, Jimei,Xiamen,361100 **TEL:** +86 (0592)7196398

ChinaManufacturer Center:!#Factory BuildingNo.8 Tonghong Rd, **WEB:** www.cngtl.com
 Tong'an District,Xiamen,361100,China

For more information, product demonstration, or details on purchase, lease and rental plans, please contact your local GTL distributor.

Effective Date: Septemeber, 2024.10. Product specifications and prices are subject to change without notice or obligation. The photographs and/or drawings in this document are for illustrative purposes only. Refer to the appropriate Operator's Manual for instructions on the proper use of this equipment. Failure to follow the appropriate Operator's Manual when using our equipment or to otherwise act irresponsibly may result in serious injury or death. The only warranty applicable to our equipment is the standard written warranty applicable to the particular product and sale and we make no other warranty, express or implied. Products and services listed are trademarks, service marks or trade-names of Xiamen GTL Power System Co.,Ltd