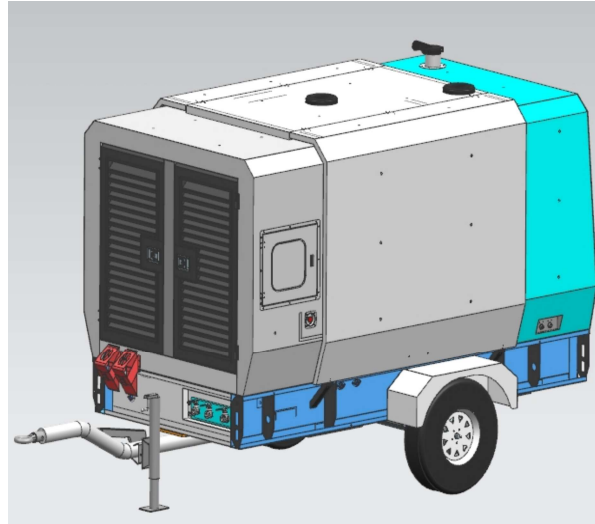


ALWAYS PERFORMED WELL

ALWAYS PERFORMED WELL
MDS650S20C-NR3



Compressor type Rotary Twin Screw, 2-Stage, Oil-cooled

Operational data

| | | |
|--------------------------|---------------------|------|
| Free Air Delivery | m ³ /min | 18.2 |
| | cfm | 650 |
| Rated Operating Pressure | bar | 20 |
| | psig | 290 |

Engine

| | | |
|---------------------|---|------------|
| Maker/Model | CUMMINS QSB6.7-C260-32 | |
| Type | 4 cycle, Inline, Water-cooled, Direct injection, Diesel | |
| Air Intake Way | Turbocharged Inter-cooler | |
| Injection System | Electronic Common Rail | |
| Emission regulation | China Non-Road Stage III&EU STAGE 3A | |
| Number of Cylinders | 6 | |
| Bore | mm | 107 |
| Stroke | mm | 124 |
| Displacement | l | 6.7 |
| Full Load Speed | rpm | 1900 |
| Unload Speed | rpm | 1500 |
| Power | kw(ps) | 186(253) |
| Fuel Consumption | l/h(US gal/h) | 44.3(11.7) |

Filling capacities

| | | |
|-----------------------|-----------|-----------|
| Compressor Oil System | l(US gal) | 60(16) |
| Diesel Tank | l(US gal) | 400(106) |
| Engine Coolant System | l(US gal) | 260(69) |
| Engine Oil System | l(US gal) | 19.5(5.1) |

Dimensions & weight and connections

| | | | |
|-----------------------|-------------|--------|------------------|
| Box | Length | mm(in) | 3400(134) |
| | Width | mm(in) | 1800(71) |
| | Height | mm(in) | 1952(76.8) |
| | weight(Dry) | kg(lb) | 3050(6724) |
| | weight(Wet) | kg(lb) | 3350(7386) |
| Portable | Length | mm(in) | 5070(200) |
| | Width | mm(in) | 2070(81.5) |
| | Height | mm(in) | 2620(103.1) |
| | weight(Dry) | kg(lb) | 3400(7496) |
| | weight(Wet) | kg(lb) | 3700(8157) |
| Compressed air outlet | | | 1x G3/4", 1x G2" |

* Note: Due to continuous improvements in the products, the technical specifications are subject to change without prior notice.

ALWAYS PERFORMED WELL

MDS650S20C-NR3 Technical Data

Many options for many applications

Compressed Air Quality

- «Built-in aftercooler
- «Built-in microfilter combination
- «Integrated Oiler

Compressor Equipment

- «Hose reel
- «Remote start / stop
- «Tool-Box
- «Bunded bottom box

Integrated Generator

- «5KVA
- «7KVA
- «9KVA
- «15KVA

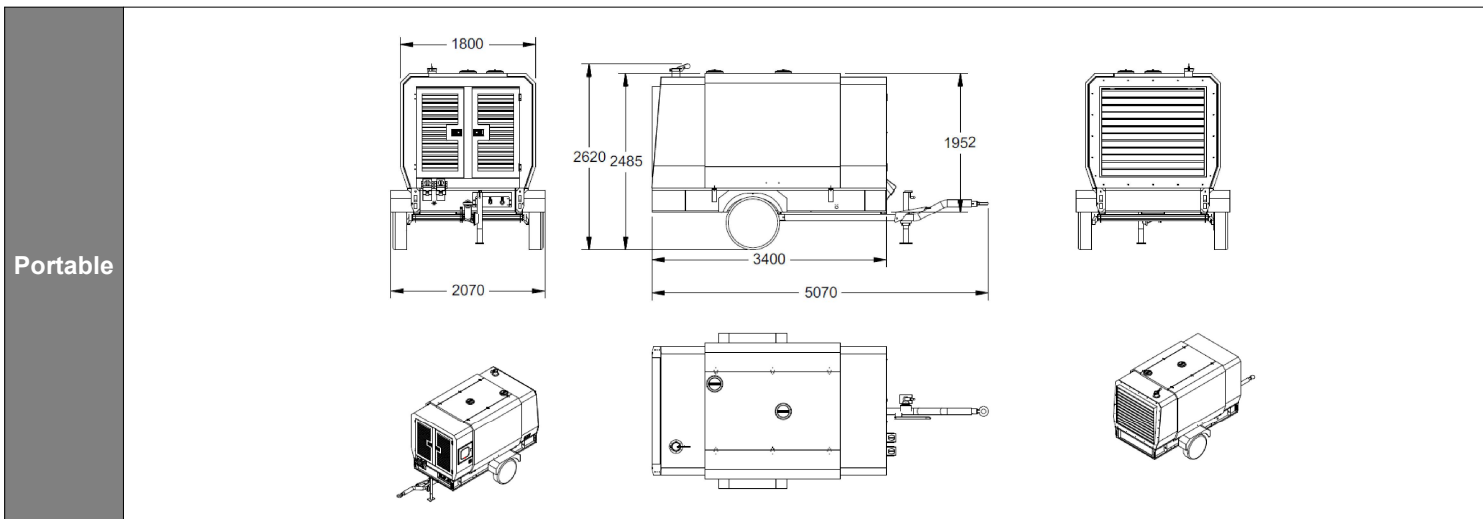
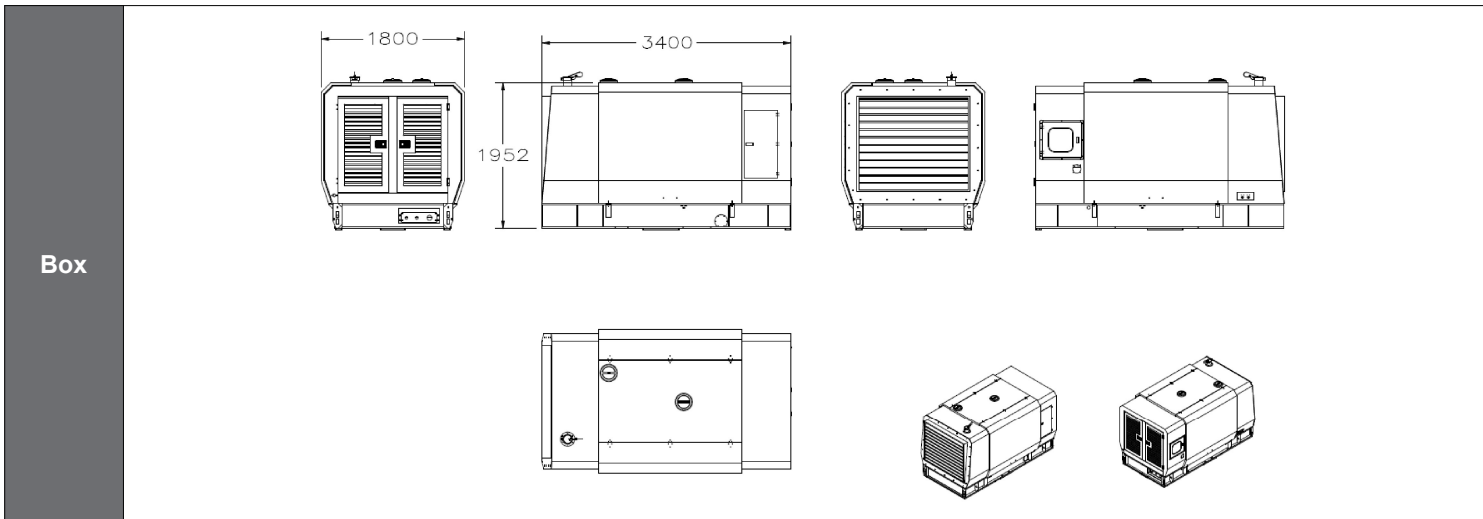
Engine Accessories

- «Spark arrestor
- «Engine shutdown at overspeed from flammable gases

Others

- «Color
- «Fuel tank capacity

Dimensions



CERTIFICATION

GCCA:GC009G01

CE certification: Machinery Directive 2006/42/EC

GB/T 45001-2020/ISO 45001:2018 ,GB/T 24001-2016/ISO14001:2015, ISO9001:2015

WARRANTY COVERAG

PACKAGE: 1 year or 2,000 hours

ENGINE: Carries the manufacturer's warranty

AIREND: STANDARD: 2 years or 4,000 hours

EXTENDED: 5 years or 10,000 hours with the use of GTL filters and fluids

For more information, product demonstration, or details on purchase, lease and rental plans, please contact your local GTL distributor.

XIAMEN GTL POWER SYSTEM CO.,LTD

Marketing Center: 5F, Bo an Shi TongBuilding, No.997-999, Tianma Rd, Jimei,Xiamen,361100

TEL: +86 (0592)7196398

ChinaManufacturer Center:!#Factory BuildingNo.8 Tonghong Rd, **WEB:** www.cngtl.com
Tong'an District,Xiamen,361100,China

Effective Date: Septemeber, 2024.10. Product specifications and prices are subject to change without notice or obligation. The photographs and/or drawings in this document are for illustrative purposes only. Refer to the appropriate Operator's Manual for instructions on the proper use of this equipment. Failure to follow the appropriate Operator's Manual when using our equipment or to otherwise act irresponsibly may result in serious injury or death. The only warranty applicable to our equipment is the standard written warranty applicable to the particular product and sale and we make no other warranty, express or implied. Products and services listed are trademarks, service marks or trade-names of Xiamen GTL Power System Co.,Ltd