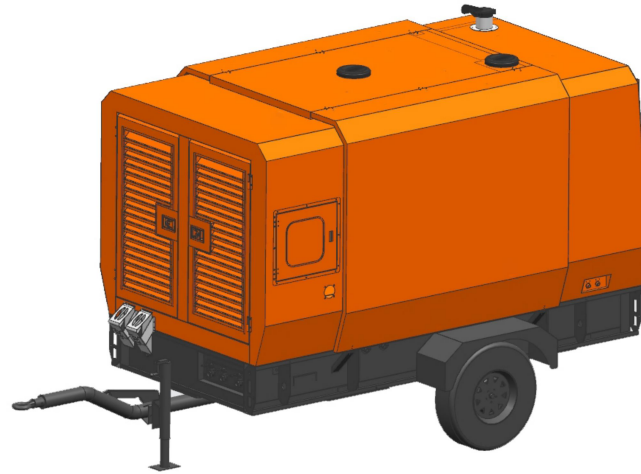


ALWAYS PERFORMED WELL



ALWAYS PERFORMED WELL

MDS625S12C-NR3

Compressor type Rotary Twin Screw, Single-Stage, Oil-cooled

Operational data

Free Air Delivery	m ³ /min	17.5
	cfm	625
Rated Operating Pressure	bar	12
	psig	174

Engine

Maker/Model	Cummins QSB6.7-C260-32	
Type	4 cycle, Inline, Water-cooled, Direct injection, Diesel	
Air Intake Way	Turbocharged Inter-cooler	
Injection System	Electronic Common Rail	
Emission regulation	China Non-Road Stage III	
Number of Cylinders	6	
Bore	mm	107
Stroke	mm	124
Displacement	l	6.7
Full Load Speed	rpm	2400
Unload Speed	rpm	1500
Power	kw(ps)	194(263.8)
Fuel Consumption	l/h(US gal/h)	42.7(11.28)

Filling capacities

Compressor Oil System	l(US gal)	56.4(14.90)
Diesel Tank	l(US gal)	380(100.39)
Engine Coolant System	l(US gal)	25.2(6.66)
Engine Oil System	l(US gal)	19.5(5.15)

Dimensions & weight and connections

Box	Length	mm(in)	3300(130)
	Width	mm(in)	1904(75)
	Height	mm(in)	2070(82)
	weight(Dry)	kg(lb)	3150(6945)
	weight(Wet)	kg(lb)	3483(7679)
Portable	Length	mm(in)	4970(196)
	Width	mm(in)	2170(85)
	Height	mm(in)	2620(103)
	weight(Dry)	kg(lb)	3430(7562)
	weight(Wet)	kg(lb)	3765(8300)
Compressed air outlet	1 x G2", 2 x G3/4"		

* Note: Due to continuous improvements in the products, the technical specifications are subject to change without prior notice.

ALWAYS PERFORMED WELL

MDS625S12C-NR3 Technical Data

Many options for many applications

Compressed Air Quality

- «Built-in aftercooler
- «Built-in microfilter combination
- «Integrated Oiler

Compressor Equipment

- «Hose reel
- «Remote start / stop
- «Tool-Box «Bunded bottom box

Integrated Generator

- «5KVA «7KVA
- «9KVA «15KVA

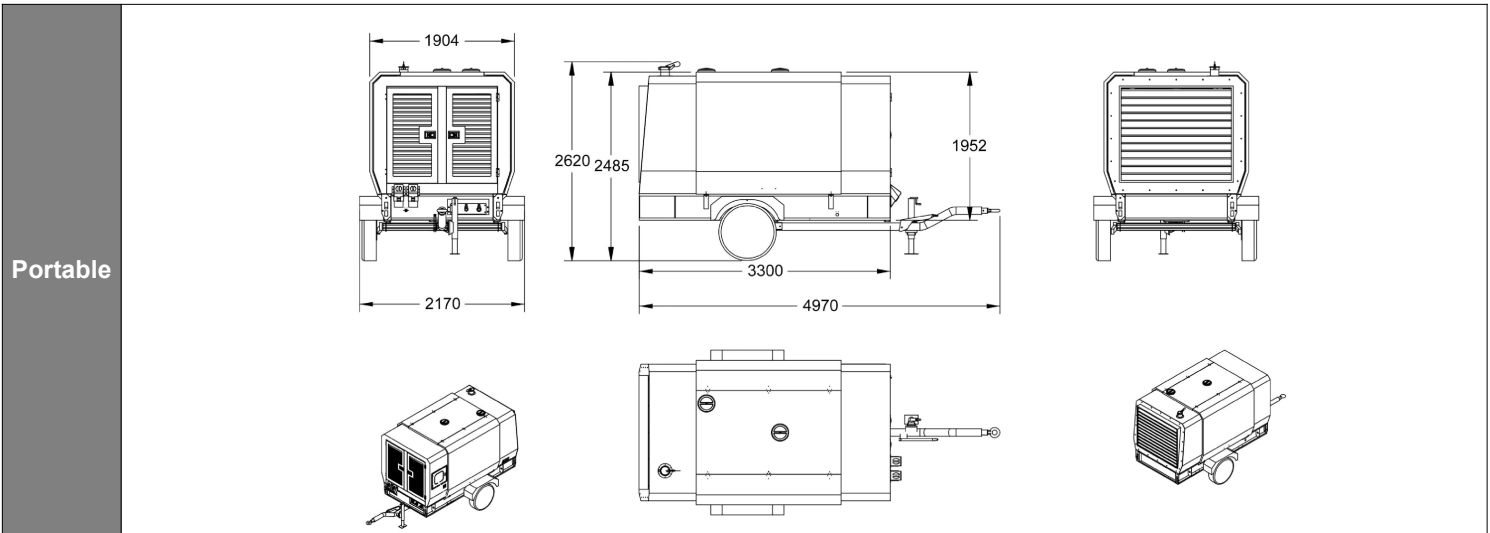
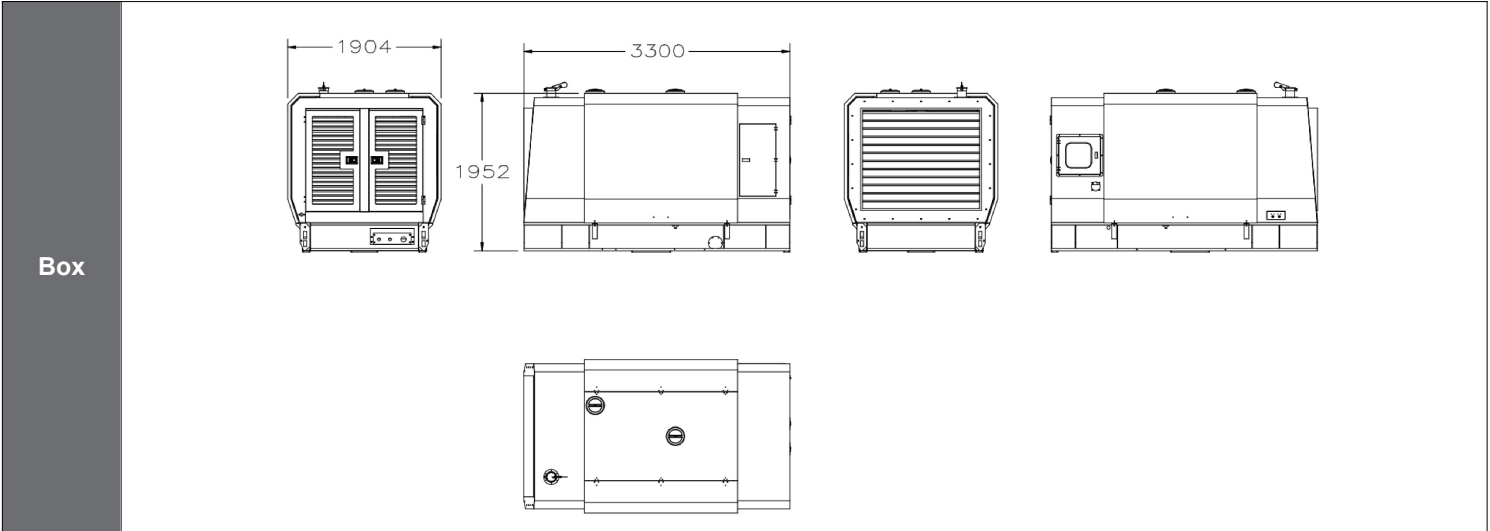
Engine Accessories

- «Spark arrestor
- «Engine shutdown at overspeed from flammable gases

Others

- «Color
- «Fuel tank capacity

Dimensions



CERTIFICATION

GCCA:GC009G01
 CE certification: Machinery Directive 2006/42/EC
 GB/T 45001-2020/ISO 45001:2018 ,GB/T 24001-2016/ISO14001:2015, ISO9001:2015

WARRANTY COVERAGE

PACKAGE: 1 year or 2,000 hours
ENGINE: Carries the manufacturer's warranty
AIREND: **STANDARD:** 2 years or 4,000 hours
EXTENDED: 5 years or 10,000 hours with the use of GTL filters and fluids



XIAMEN GTL POWER SYSTEM CO.,LTD

Marketing Center: 5F, Bo an Shi Tong Building, No.997-999, Tianma Rd, Jimei,Xiamen,361100 **TEL:** +86 (0592)7196398

China Manufacturer Center: 1#Factory Building No.8 Tonghong Rd, Tong'an District,Xiamen,361100,China **WEB:** www.cngtl.com

For more information, product demonstration, or details on purchase, lease and rental plans, please contact your local GTL distributor.

Effective Date: 01012025 Product specifications and prices are subject to change without notice or obligation. The photographs and/or drawings in this document are for illustrative purposes only. Refer to the appropriate Operator's Manual for instructions on the proper use of this equipment. Failure to follow the appropriate Operator's Manual when using our equipment or to otherwise act irresponsibly may result in serious injury or death. The only warranty applicable to our equipment is the standard written warranty applicable to the particular product and sale and we make no other warranty, express or implied. Products and services listed are trademarks, service marks or trade-names of Xiamen GTL Power System Co.,Ltd